



Capital Markets Day

November 2008

Fundamentals in Metals & Mining companies: Aitik 36

Jan Moström

President BA Mines

BOLIDEN

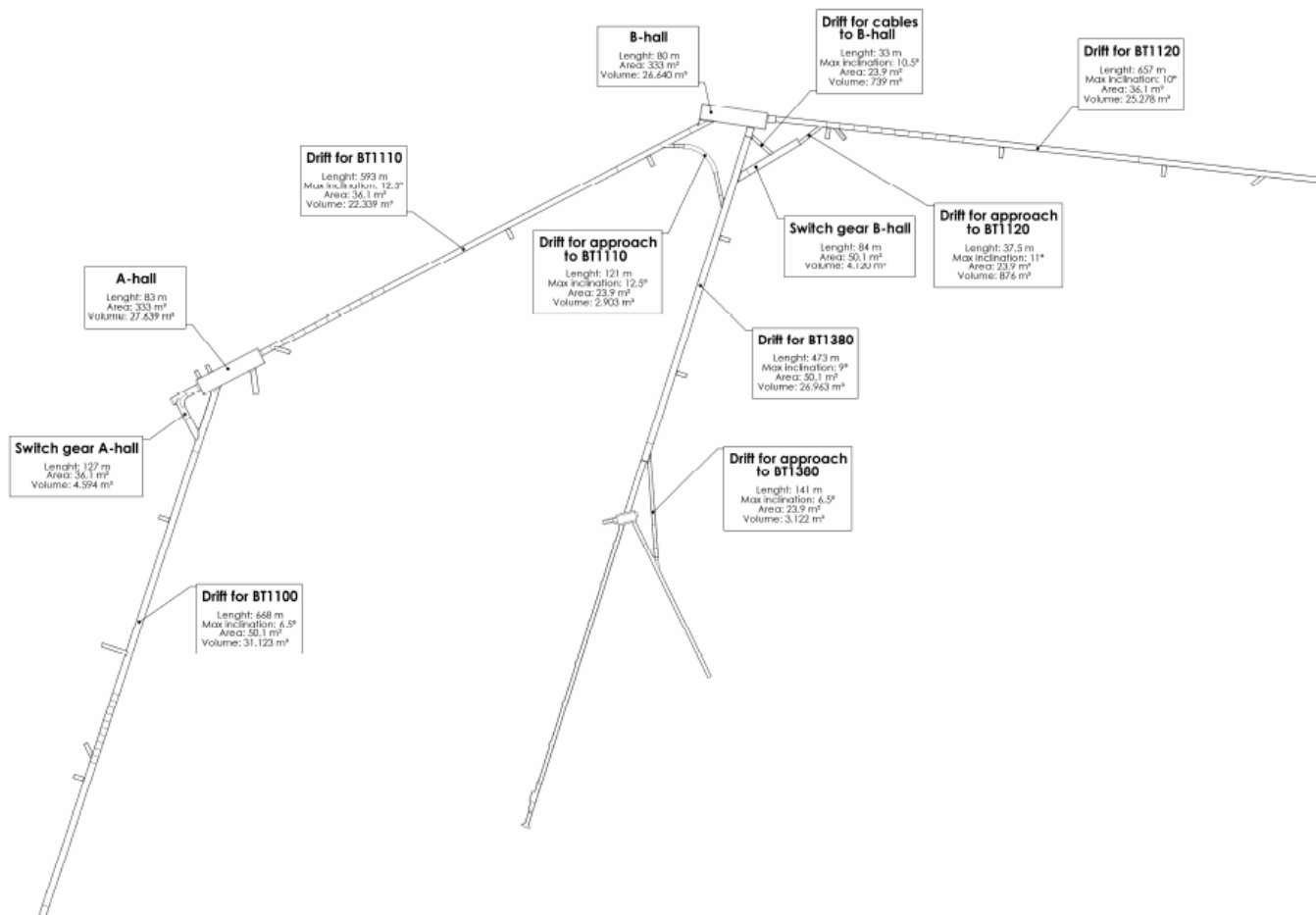
A map of Aitik 36



Project running on schedule but with CAPEX overrun

- Aitik 36 CAPEX will be approx. SEK 6 billion (SEK 5.2 billion)
- Main part of CAPEX overrun comes from higher mine site construction and infrastructure costs
- Milled ore production raised from 18 to 36 million tonnes by 2014
- Start-up March 2010 and ramp up to annual rate of 33 million tonnes after Q2 2010

Aitik 36 – conveyor drifts

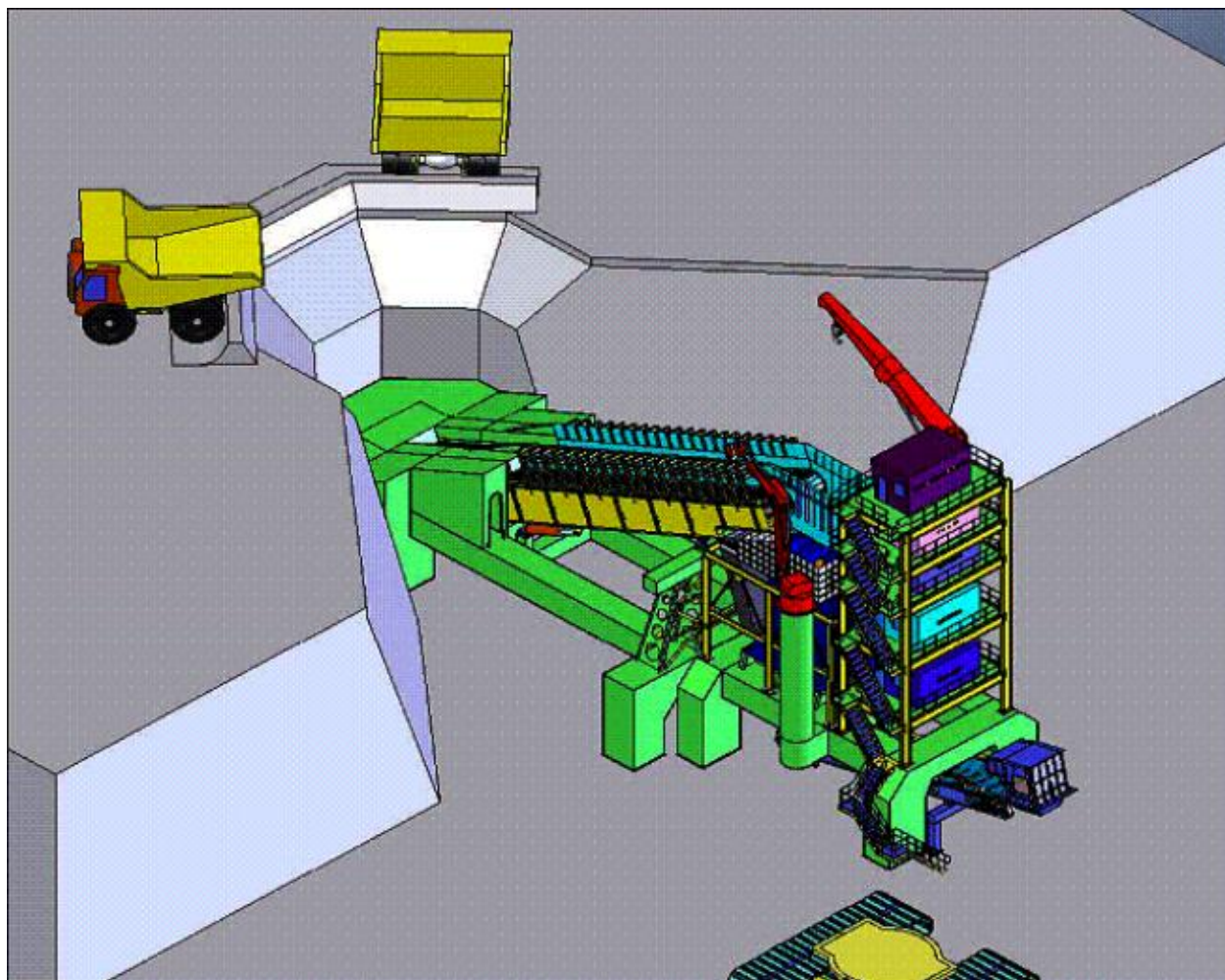


Aitik 36 – driving station 1120

Driving station for band conveyor from the open pit to the surface. Installed engine capacity: 6 MW.



Aitik 36 – crusher station



Aitik 36 – crusher above ground

Retaining wall: 130 m long and 17 m tall, 3,000 m³ concrete.



Aitik 36 – intermediate storage

Re-loading station for ore from crusher above ground and ore from crushers in the open pit. Will have room for 30 000 tonnes of ore.



Aitik 36 – belt conveyor (first delivery)

Totally about 7 km belt conveyors will be installed.

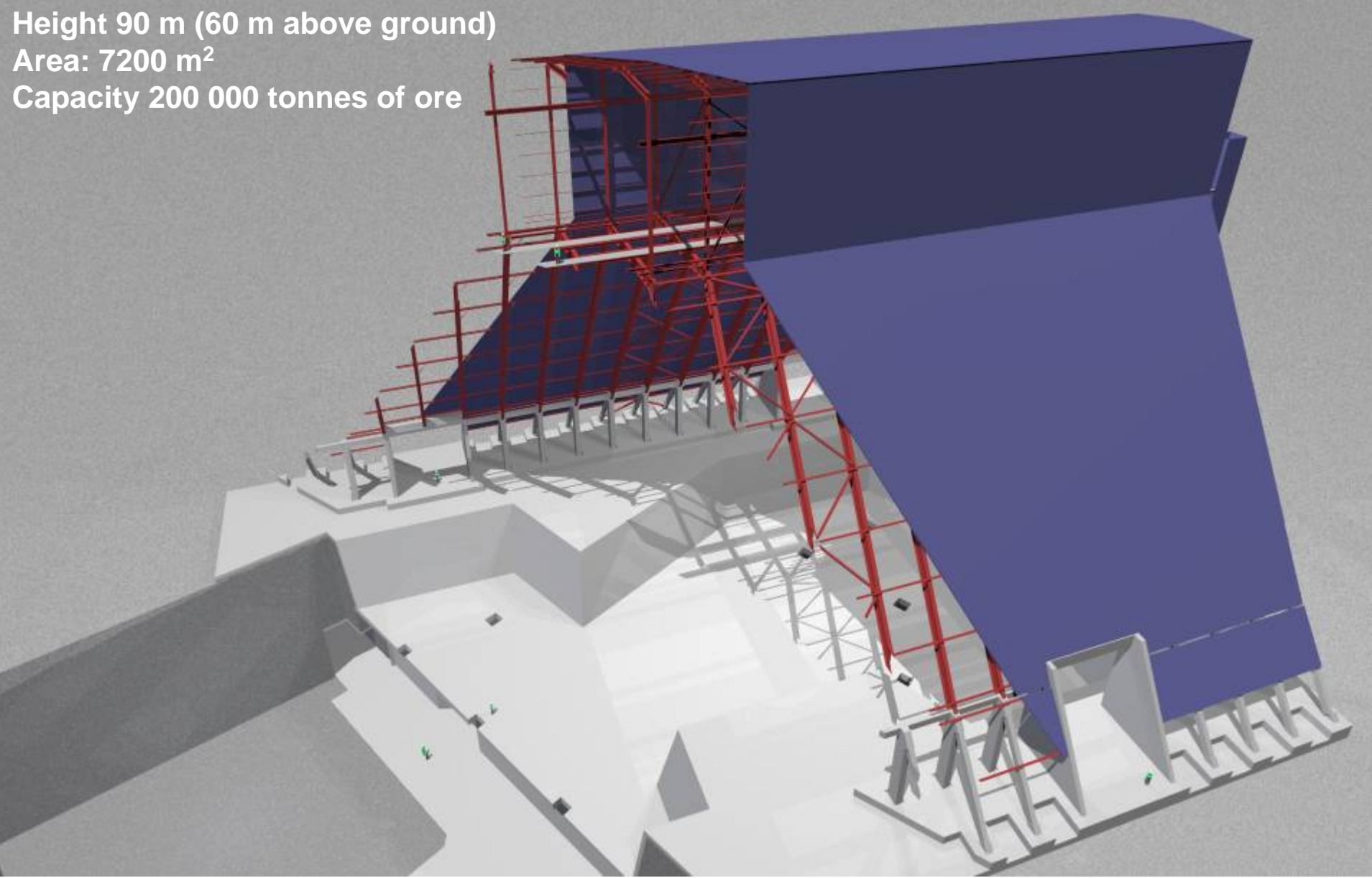


Aitik 36 – driving station 2030 (at ore storage)

Driving station for the long band from the intermediate storage to the large ore storage. Installed engine capacity: 10 MW.



Height 90 m (60 m above ground)
Area: 7200 m²
Capacity 200 000 tonnes of ore



AITIK 36 - Ore Storage

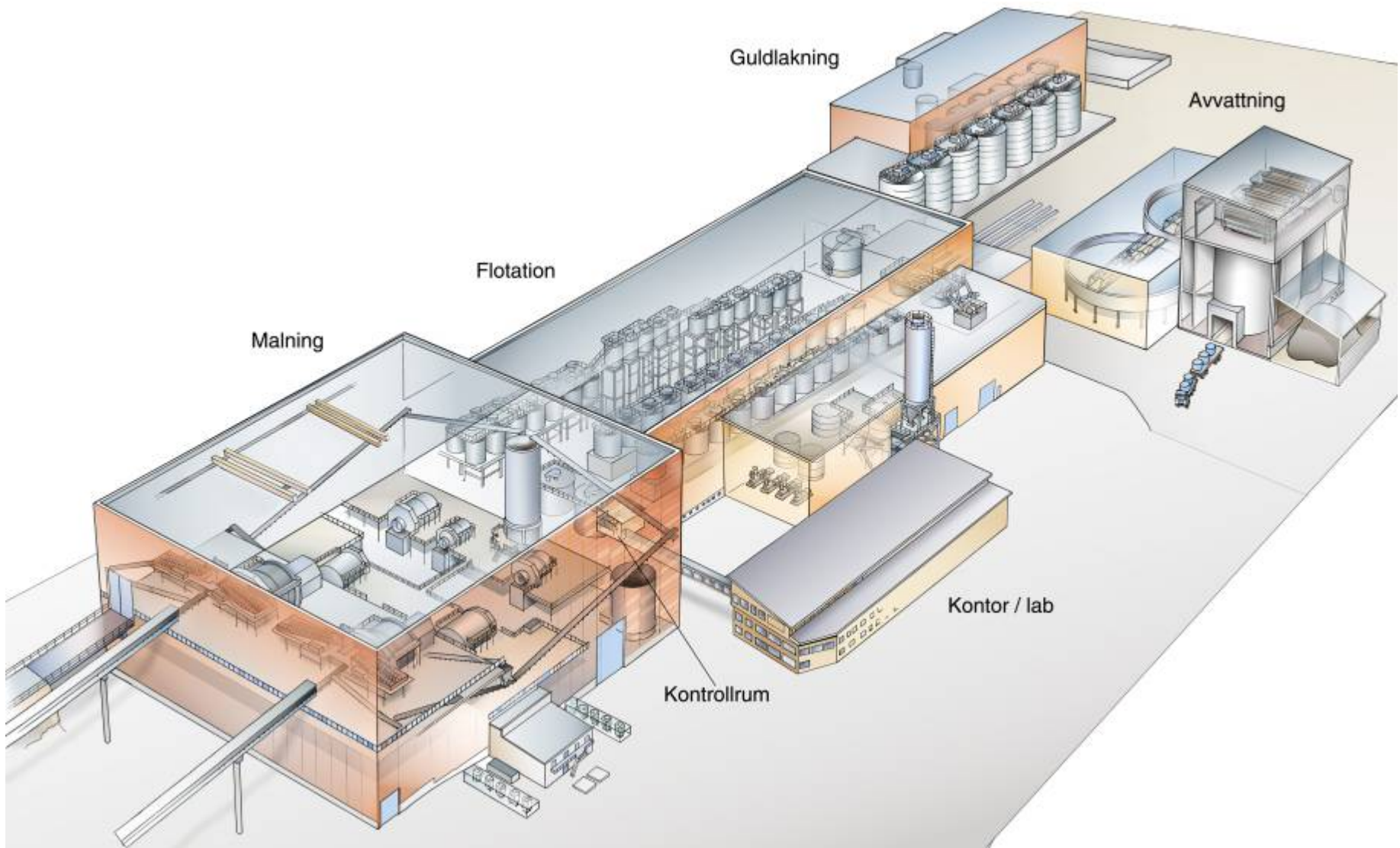
BOLIDEN



AITIK 36 - Ore Storage

BOLIDEN

AITIK 36 - Concentrator



Main building
Floor Area: 15 800 m²
Volume: 710 000 m³

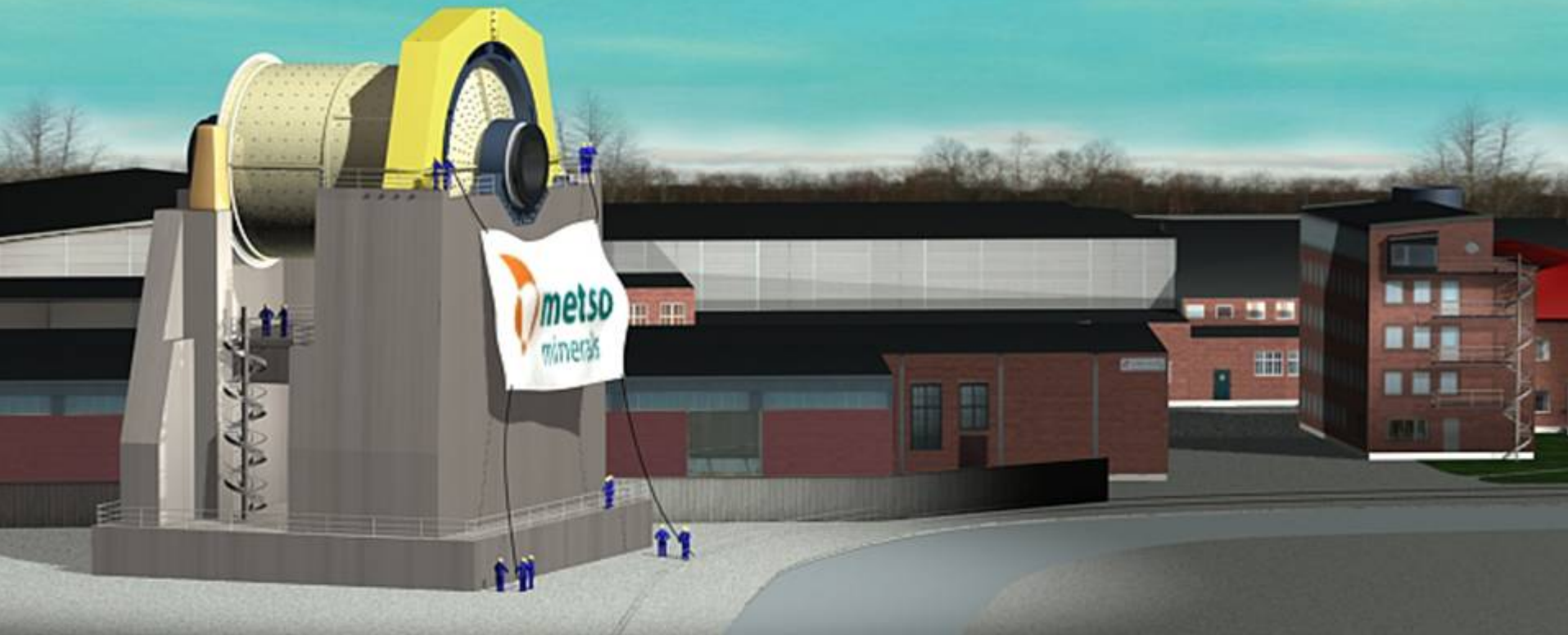


AITIK 36 - Concentrator

BOLIDEN

AITIK 36 - Primary mill on bed

Height bed about 20 m
Height, bed and mill: about 33 m
Installed engine capacity: 22,5 MW



**Beds to the primary mills
are about 20 m high and contain
more than 10 000 m³ concrete**



AITIK 36 - Mill beds

BOLIDEN

Floor area: 7 920 m²
Volume: 174 000 m³



AITIK 36 - Truck Workshop

